

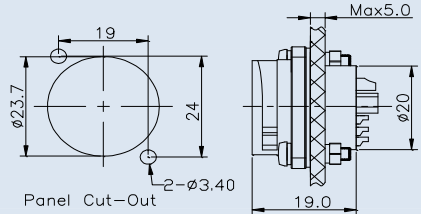
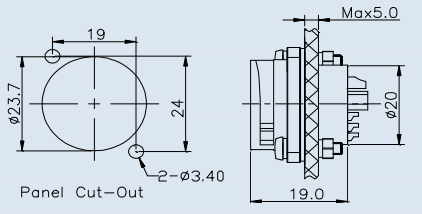
# LARGE SERIES






## CHOGORI USA

### Large Series Specifications

#### Large Series, Panel Mount & Male Pin

Description	Square Panel Mount Lock Bayonet Type, Solder	Square Panel Mount Push Lock Type, Solder
Figure		

Drawing		
---------	--	---

Part-No.	Contacts		Part Number		Contacts		Part Number	
		2		24002526-01		2		24002536-01
	3(20A)		24003526-01		3(20A)		24003536-01	
	3(50A)		24003526-02		3(50A)		24003536-02	
	9		24009526-01		9		24009536-01	
	3+9(MF)		24309526-01		3+9(MF)		24309536-01	

Specifications					
Number of Contacts	2	3	3	9	3+9
Wire Gauge	12AWG		8AWG	18AWG	12AWG+24AWG
Panel Thickness	Max. 5.0mm				Max. 5.0mm
Environmental Protection	IP67				
Mechanical Life	500 mating cycles				
Operating Temperature	- 45°C - 105°C				
Voltage Rating	300V	300V	300V	125V	300V
Rated Current (40°C)	20A	20A	50A	5A	20A+5A