

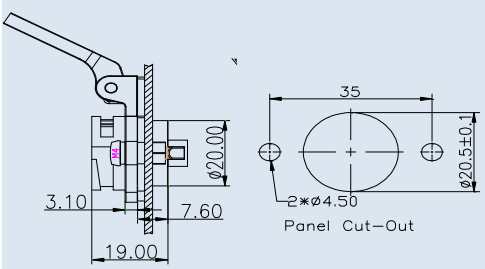
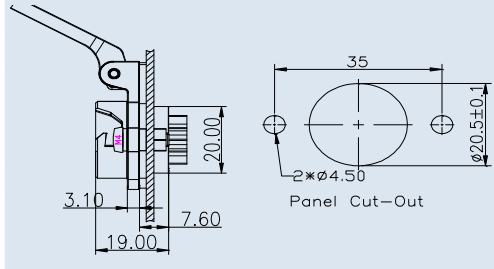
LARGE SERIES







CHOGORI USA

Large Series Specifications

Large Series, Panel Mount & Male Pin

Description	Rhombus Panel Mount Lock Bayonet Type, Solder	Description	Rhombus Panel Mount Push Lock Type, Solder
Figure		Figure	

Drawing		
---------	--	---

Part-No.	Lock Bayonet Type		Push Lock Type	
	Contacts	Part Number	Contacts	Part Number
	2	24002526-02 	2	24002536-02 
	3(20A)	24003526-03 	3(20A)	24003536-03 
	3(50A)	24003526-04	3(50A)	24003536-04
	9	24009526-02	9	24009536-02
	3+9(MF)	24309526-02 	3+9(MF)	24309536-02 

Specifications					
Number of Contacts	2	3	3	9	3+9
Wire Gauge	12AWG		8AWG	18AWG	12AWG+24AWG
Panel Thickness	Max. 5.0mm				Max. 5.0mm
Environmental Protection	IP67				
Mechanical Life	500 mating cycles				
Operating Temperature	- 45°C - 105°C				
Voltage Rating	300V	300V	300V	125V	300V
Rated Current (40°C)	20A	20A	50A	5A	20A+5A