

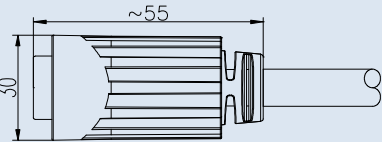
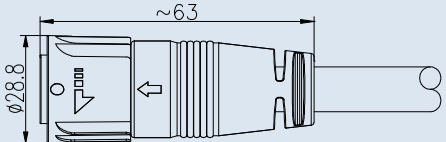








LARGE SERIES

CHOGORI USA

Large Series Specifications

Large Series, Male Connector & Female Pin

Description	Molded with Cable, 180° Lock Bayonet Type, Solder	Molded with Cable, 180° Push Lock Type, Solder
Figure		
Drawing		

Part-No.	Male Connector			Female Connector		
	Contacts	Cable Range(mm)	Part Number	Contacts	Cable Range(mm)	Part Number
	2	Max. 13.0mm	24002223-01-XXX 	2	Max. 13.0mm	24002233-01-XXX 
	3(20A)	Max. 13.0mm	24003223-01-XXX 	3(20A)	Max. 13.0mm	24003233-01-XXX 
	3(50A)	Max. 13.0mm	24003223-02-XXX	3(50A)	Max. 13.0mm	24003233-02-XXX
	9	Max. 13.0mm	24009223-01-XXX	9	Max. 13.0mm	24009233-01-XXX
	18	Max. 13.0mm	24018223-01-XXX	18	Max. 13.0mm	24018233-01-XXX
	24	Max. 13.0mm	24024223-01-XXX	24	Max. 13.0mm	24024233-01-XXX
	3+9(FM)	Max. 13.0mm	24309223-01-XXX 	3+9(FM)	Max. 13.0mm	24309233-01-XXX 
	3+11(FM)	Max. 13.0mm	24311223-01-XXX	3+11(FM)	Max. 13.0mm	24311233-01-XXX

Specifications								
Number of Contacts	2	3	3	9	18	24	3+9	3+11
Wire Gauge	12AWG		8AWG	18AWG	22AWG		12AWG+24AWG	
Cable Range	4.5mm - 13.0mm							
Environmental Protection	IP67							
Mechanical Life	500 mating cycles							
Operating Temperature	- 40°C - 80°C							
Voltage Rating	300V	300V	300V	125V	125V	125V	300V	300V
Rated Current (40°C)	20A	20A	50A	5A	5A	5A	20A+5A	20A+5A