

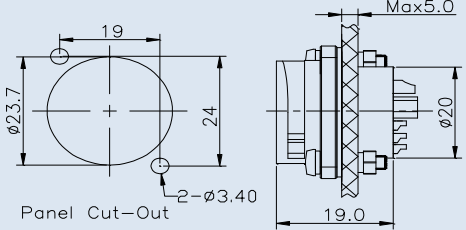
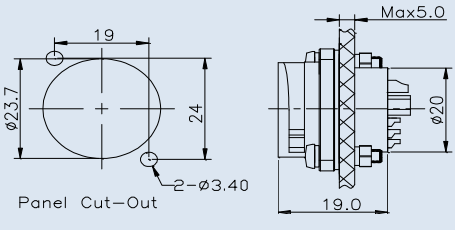
# LARGE SERIES







## CHOGORI USA

### Large Series Specifications

#### Large Series, Panel Mount & Female Pin

|             |   |  |
|-------------|---|--|
| Description | Square Panel Mount<br>Lock Bayonet Type, Solder                                   | Square Panel Mount<br>Push Lock Type, Solder                                       |
| Figure      |  |  |

|         |   |  |
|---------|---|--|
| Drawing |  <p>Panel Cut-Out</p> |  <p>Panel Cut-Out</p> |
|---------|---|--|

| Part-No. | Lock Bayonet Type |   | Push Lock Type |   |
|----------|-------------------|---|----------------|---|
|          | Contacts          | Part Number   | Contacts       | Part Number   |
|          | 2                 | 24002626-01  | 2              | 24002636-01  |
|          | 3(20A)            | 24003626-01  | 3(20A)         | 24003636-01  |
|          | 3(50A)            | 24003626-02   | 3(50A)         | 24003636-02   |
|          | 9                 | 24009626-01   | 9              | 24009636-01   |
|          | 3+9(FM)           | 24309626-01  | 3+9(FM)        | 24309636-01  |

| Specifications           |                   |      |      |            |             |
|--------------------------|-------------------|------|------|------------|-------------|
| Number of Contacts       | 2                 | 3    | 3    | 9          | 3+9         |
| Wire Gauge               | 12AWG             |      | 8AWG | 18AWG      | 12AWG+24AWG |
| Panel Thickness          | Max. 5.0mm        |      |      | Max. 5.0mm |             |
| Environmental Protection | IP67              |      |      |            |             |
| Mechanical Life          | 500 mating cycles |      |      |            |             |
| Operating Temperature    | - 45°C - 105°C    |      |      |            |             |
| Voltage Rating           | 300V              | 300V | 300V | 125V       | 300V        |
| Rated Current (40°C)     | 20A               | 20A  | 50A  | 5A         | 20A+5A      |