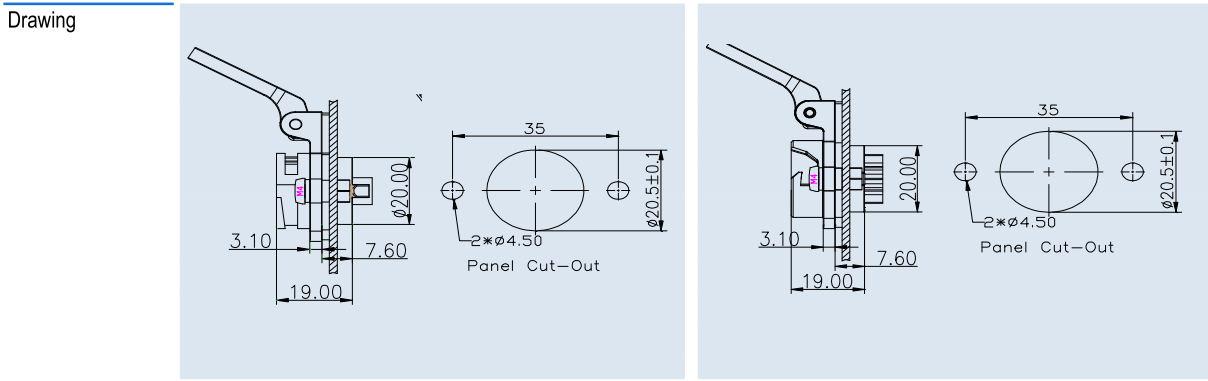







# LARGE SERIES

## CHOGORI USA

### Large Series Specifications

#### Large Series, Panel Mount & Female Pin



Part-No.	Contacts		Part Number		Contacts		Part Number	
		2		24002626-05		2		24002636-05
	3(20A)		24003626-03		3(20A)		24003636-03	
	3(50A)		24003626-04		3(50A)		24003636-04	
	9		24009626-05		9		24009636-05	
	3+9(FM)		24309626-05		3+9(FM)		24309636-05	

Specifications					
Number of Contacts	2	3	3	9	3+9
Wire Gauge	12AWG		8AWG	18AWG	12AWG+24AWG
Panel Thickness	Max. 5.0mm			Max. 5.0mm	
Environmental Protection	IP67				
Mechanical Life	500 mating cycles				
Operating Temperature	- 45°C - 105°C				
Voltage Rating	300V	300V	300V	125V	300V
Rated Current (40°C)	20A	20A	50A	5A	20A+5A