
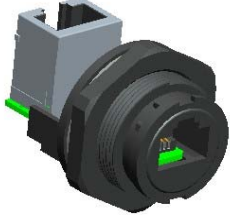

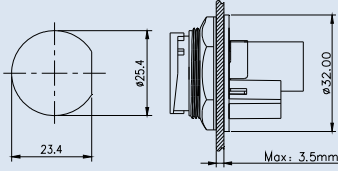
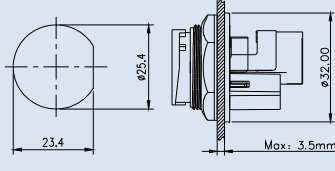
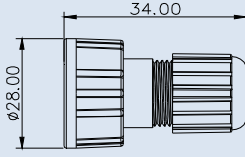


RJ45 Series, Panel Front Mount

Description	Panel Front Mount, 180° Lock Bayonet Type, Jack	Panel Front Mount, 90° Lock Bayonet Type, Jack	Lock Bayonet Type, Field Installable
Figure			

Drawing	 <p>Panel Cut-Out</p>	 <p>Panel Cut-Out</p>	
---------	--	---	---

Part Number	Contacts	Part Number	Contacts	Part Number
	8	33000000-04	8	33000000-05
			0	33000000-06

Specifications			
Number of Contacts	8		0
Wire Gauge	24AWG		
Panel Thickness	Max. 3.5mm	Max. 3.5mm	Cable Range: 4.0mm - 7.0mm
Environmental Protection	IP67		
Mechanical Life	500 mating cycles		
Operating Temperature	- 40°C - 85°C		