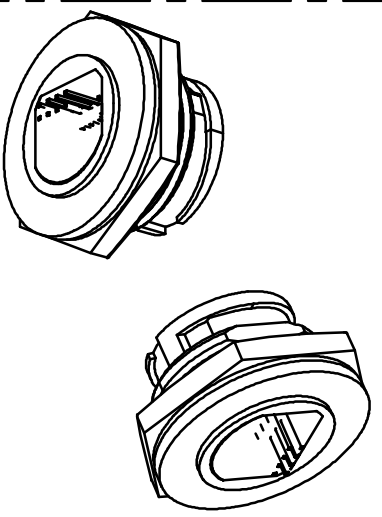
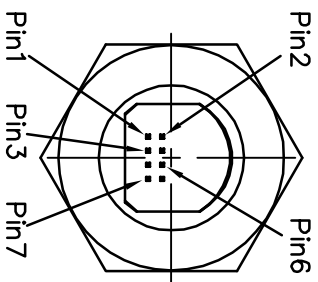
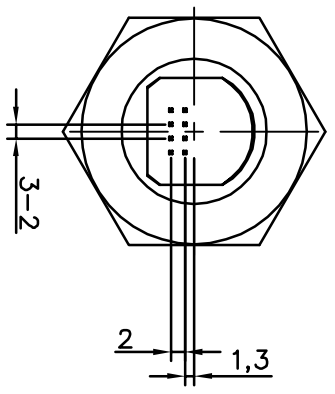
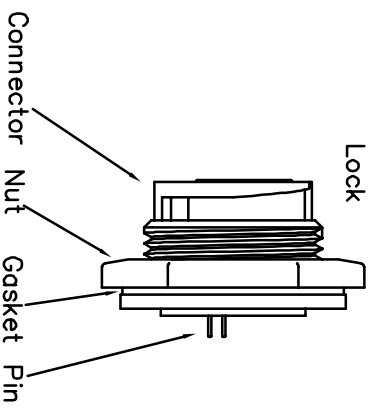
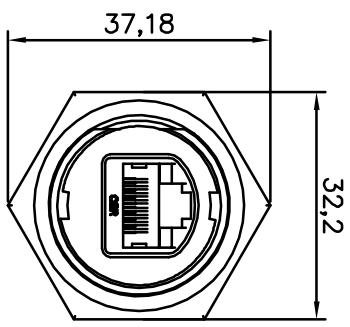
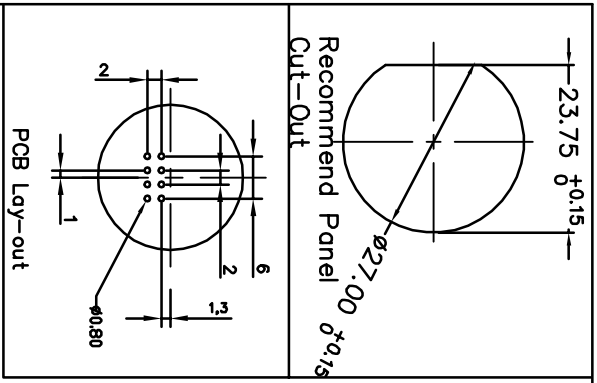


ECN	DESCRIPTION	DATE



- Note:**
- \* Gasket:Silicone
  - \* Waterproof:IP67
  - \* Nut:Nylon+GF
  - \* Connector:Nylon

UNIT:mm	TITLE
TOLERANCE	RJ45 Series For PCB Type
.X	SCALE
.XX	1 : 1
.XXX	SHEET
ANGLES	1 OF 1
±1°	REV
	C
	SIZE
	A4
	Inspection Item

**CHOGORI**

ITEM NO	33000000-08	DRAWN BY	Key.G	DATE	02/23/2013
DWG NO		CHECKED BY			
CUSTOMER		APPROVED BY			