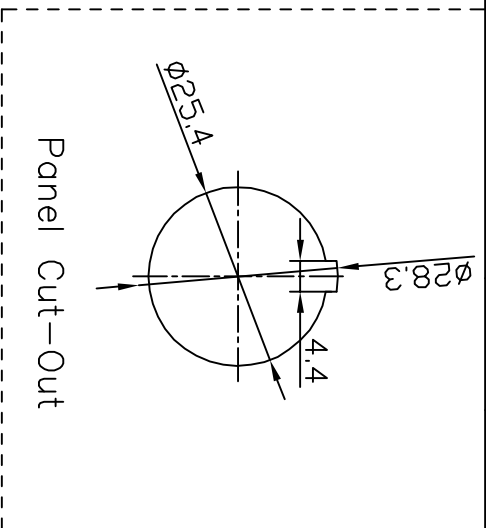
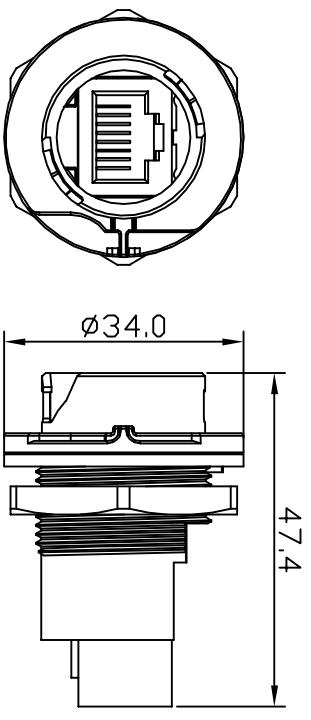
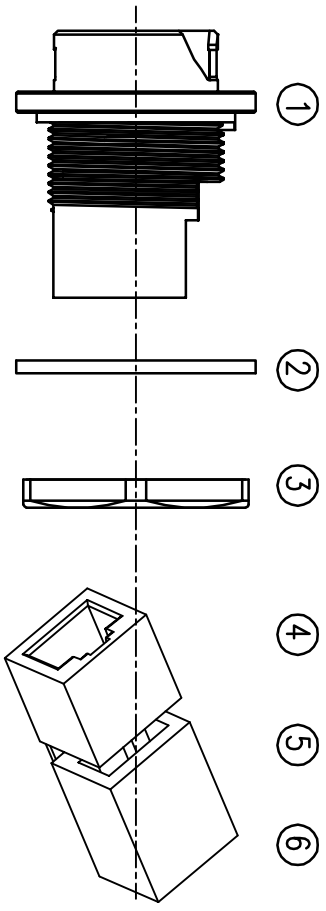


REV.	ECN NO.	DESCRIPTION	SIGN	DATE



性能参数 Specification:  
 1. 工作温度 Operation temperature:  $-45^{\circ}\text{C} \sim 105^{\circ}\text{C}$ .  
 2. 绝缘电阻 Insulation resistance:  $100\text{M}\Omega$  at DC500V.  
 3. 接触电阻 Contact resistance:  $<10\text{m}\Omega$ .  
 4. 防水等级 Waterproof: IP67.  
 5. 机械寿命 Mating cycles: 500 cycles.

No.	Material No.	Q'ty	Material Description	Cable Range
6	903-00034-00	1	RJ45-PCB板 (母座对母座)	
5	901-00118-00	1	JACK座 (3012H5808)	
4	901-00119-00	1	JACK座 (3046175702)	
3	112-00011-00	1	RJ45快速嵌六角螺母	
2	503-00045-00	1	RJ45自锁式-密封垫片	
1	106-00173-00	1	RJ45-快插式后装插座胶头	

材 料 表

UNIT:mm  
 TOLERANCE  
 X ±0.25  
 .XX ±0.15  
 .XXX ±0.05  
 ANGLES ±1°

TITLE  
**RJ45-快插式后装插座**

SCALE  
 REV. D1 SIZE A4 SHEET 1 OF 1

深圳乔合里科技有限公司

CHOGORI

INSPECTION : Inspection Item

PART NO 33-000000-17  
 DWG NO  
 CUSTOMER

DRAWN BY  
 CHECKED BY  
 APPROVED BY

DATE 2013-03-14  
 DATE  
 DATE