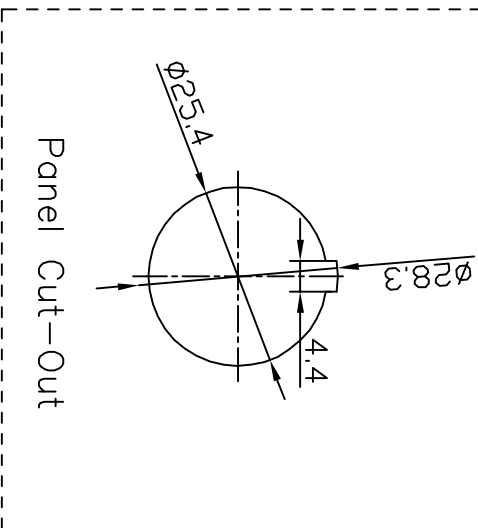
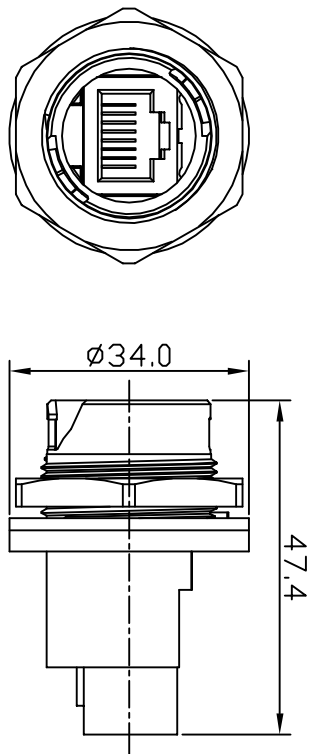
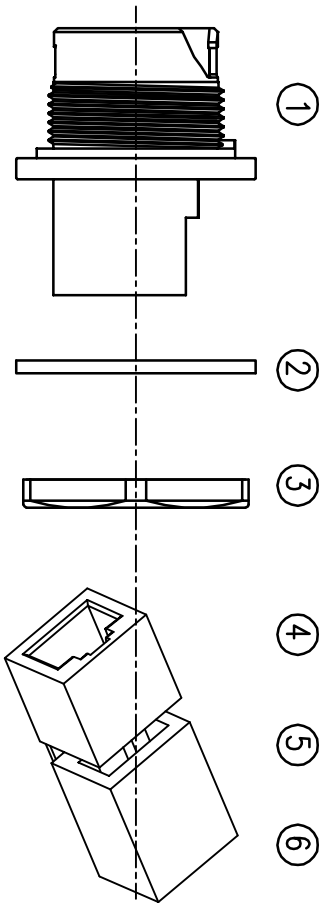


REV.	ECN NO.	DESCRIPTION	SIGN	DATE



性能参数 Specification:  
 1. 工作温度 Operation temperature: -45°C ~ 105°C.  
 2. 绝缘电阻 Insulation resistance: 100MΩ at DC500V.  
 3. 接触电阻 Contact resistance: <10mΩ.  
 4. 防水等级 Waterproof: IP67.  
 5. 机械寿命 Mating cycles: 500 cycles.

No.	Material No.	Q'ty	Material Description	Cable Range
6	903-00034-00	1	RJ45-PCB板 (母座对母座)	
5	901-00118-00	1	JACK座 (3012H5808)	
4	901-00119-00	1	JACK座 (3046175702)	
3	112-00011-00	1	RJ45快速嵌六角螺母	
2	503-00045-00	1	RJ45自锁式-密封垫片	
1	106-00172-00	1	RJ45-快插式前装插座胶头	

材 料 表

**CHOGORI**

深圳乔合里科技有限公司

RJ45-快插式前装插座

UNIT:mm  
 TOLERANCE  
 X ±0.25  
 .XX ±0.15  
 .XXX ±0.05  
 ANGLES ±1°

SCALE  
 REV. D1  
 SIZE A4  
 SHEET 1 OF 1  
 Inspection Item

PART NO	33-000000-18	DRAWN BY	XU	DATE	2013-03-14
DWG NO		CHECKED BY		DATE	
CUSTOMER		APPROVED BY		DATE	