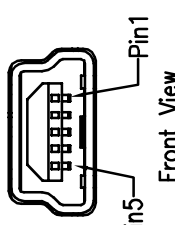
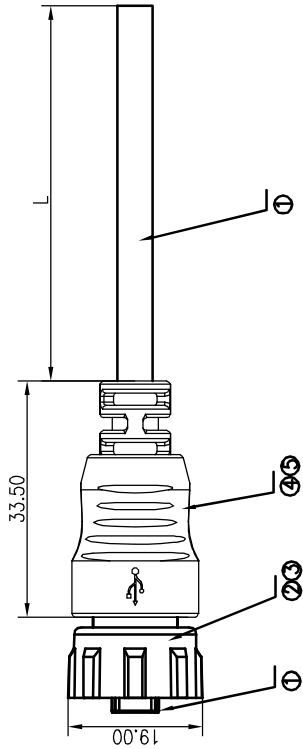


1	2	3	4	5	6	7	8
REV.	ECN NO.	DESCRIPTION	SIGN	DATE			

 <p>Pin5 Pin1 Drain</p>	
Shell	Drain
Pin5	Black 24AWG
Pin4	N/C
Pin3	Green 28AWG
Pin2	White 28AWG
Pin1	Red 24AWG
Wiring	



- NOTE:
- * Important Dimension To Check.
 - Contact Resistance: $\leq 30m\Omega$
 - Temperature Rating: $-25^{\circ}C \sim +85^{\circ}C$
 - RoHS Compliance
 - Waterproof Rate: IP67

7	Cable	Black	2C*24AWG+1P*28AWG +AI/My+D	1	
6	Glue	Black	Epoxy Casting		
5	Over Mold	Black	PVC		
4	Inner Mold	Black	Thermal Plastic		
3	Gasket	Black	Silicon	1	
2	Lock Nut	Black	PC	1	
1	Mini USB Plug (B-Type)		Contact:Gold Flash Shell: Ni Plated	1	
NO.	NAME	COLOR	SPECIFICATION	QTY	NOTE

ITEM NO	36005123-01-XXX	DRAWN BY	DATE
DWG NO		CHECKED BY	DATE
CUSTOMER		APPROVED BY	DATE

CHOGORI
深圳乔合里科技有限公司

TITLE	Mini USB(B-Type) Lock Bayonet Type Male Plug
SCALE	SHEET 1 OF 1
REV.	SIZE A4 (QC) :Inspection Item
UNIT:mm	
TOLERANCE	
.X	± 0.25
.XX	± 0.1
.XXX	± 0.05
ANGLES	$\pm 1^{\circ}$