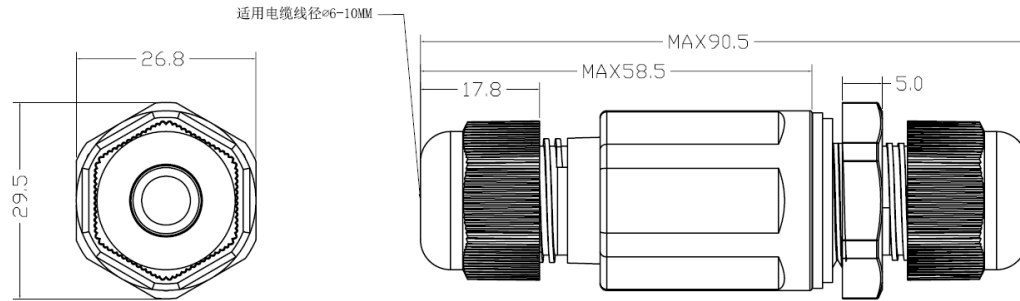


# Professional IP68 protected cable connector



**DL06-3AA-2XT**



Product information:	Water Proof Connectors
Product Name:	DL06-3AA-2XT
Number of poles:	3
Color:	Black - Customizable
Flammability:	94V-0
Material - Metal:	Brass
Material - Resin:	PA66 (Nylon)
Seal Material:	Silicone
Packing Type:	Carton Packaging
Working temperature range:	-20°C _ +°85C

Electrical properties	
Rated Voltage:	250V
Rated Current:	16A
Rated impulse voltage:	2500V
Apply to wire diameter:	0,75-1,5mm2 (AWG18-15)
Protection grade:	IP68