

# Mate 60 2+4 Pin (60A+10A)

**CHOGORI®**

## Application

High Power and Lithium Charging

### Advantages

- Push-lock mechanism
- Locking nut with hand grip
- IPXXB, IP67
- Audible click when lock engaged
- ≥3000 times mating cycles
- RoHS and Reach Compliant



## Specifications

Mating Cycle: ≥3000 Times

Pullout Force: <100N

Wire Processing: Crimp

Voltage Rating: 80V DC

Current Rating: 60A+10A

Peak Current: Power 80A 60S

Withstand Voltage: 1500V AC

Insulation Resistance: >100MΩ

Operating Temperature: -40°C to 105°C

IP Rating: IP67 Mated And Unmated

Salt Spray: 48h

Flammability Rating: UL94V-0

Shell: High Strength Thermoplastic Resin

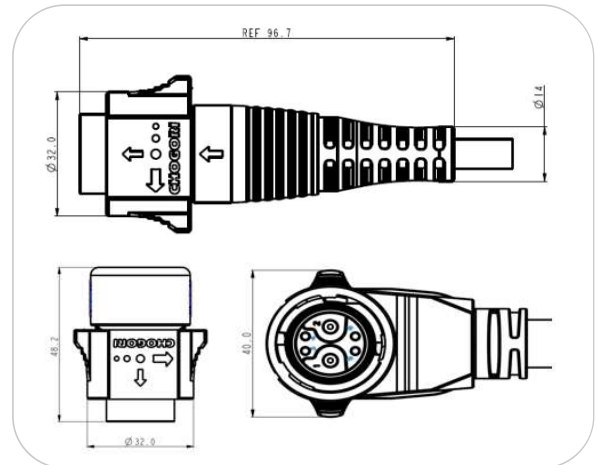
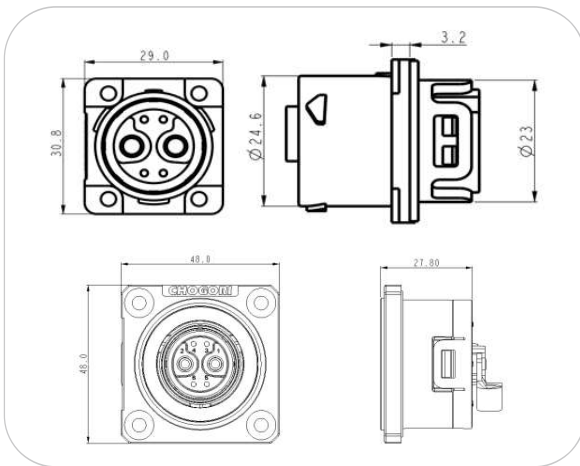
Sealing: Silicone Rubber

Conductor: Copper Alloy, Silver/ Gold Plated

Wire Gauge: Power 8AWG/Max

Signal 20AWG/Max

## Dimensions



## Temperature Curve

