

APPLICATIONS

For E-scooter charging and discharging application



ADVANTAGES

- Power and signal wires combination
- With audible click when locking engaged
- ≥2000 times mating cycles
- RoHS and Reach Compliant

SPECIFICATIONS

Mating Cycle: ≥2000 Times

Pullout Force: <100N

Wire processing: Solder

Voltage Rating: 250V DC

Current Rating: 20A

Withstand Voltage: 1500V AC

Insulation Resistance: >500MΩ

Operating Temperature: -40°C to 105°C

IP Rating: IP67 Mated

Salt Spray: 48h

Flammability Rating: UL94V-0

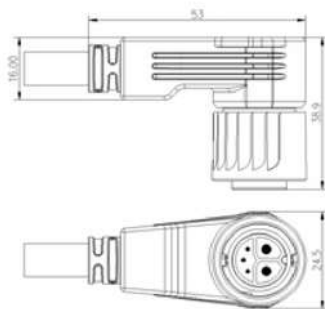
Wire Gauge:

Power 14AWG/ Max

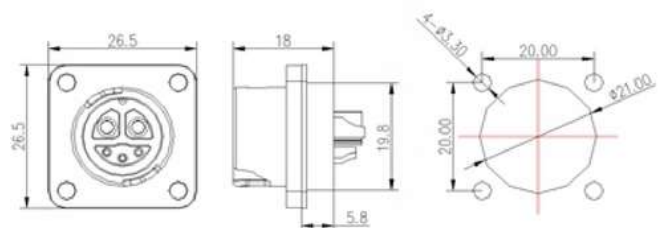
Signal 20AWG/ Max

DIMENSIONS

Male Plug



Female Receptacle



Panel Thickness: ≤5mm

TEMPERATURE CURVE

Current 20A; Wire 14AWG

