

APPLICATIONS

For E-scooter and E-motorcycle charging and discharge, swappable battery applications



ADVANTAGES

- 2 power + 10 signal pins layout
- 1mm self-floating
- 5.7mm Newsok power terminal - Chogori Patented technology with high reliability, high current transmission capacity
- ≥5000 times mating cycles
- RoHS and Reach Compliant

SPECIFICATIONS

Mating Cycle: ≥5000 Times
 Pullout Force: <100N
 Wire processing: Revert/ Solder

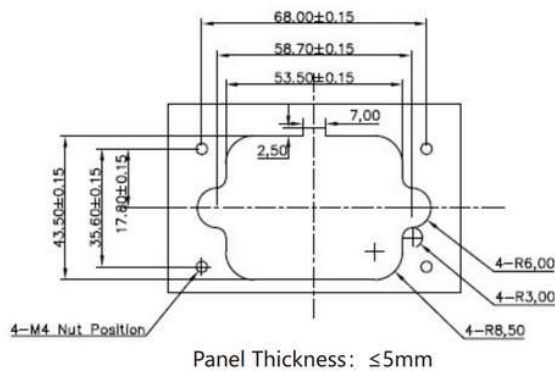
Voltage Rating: 80V DC
 Current Rating: Power 100A(Max)
 Signal 5A
 Withstand Voltage: 1500V AC
 Insulation Resistance: >500MΩ

Operating Temperature: -40°C to 105°C
 IP Rating: IPX7 Battery Side
 Salt Spray: 48h
 Flammability Rating: UL94V-0

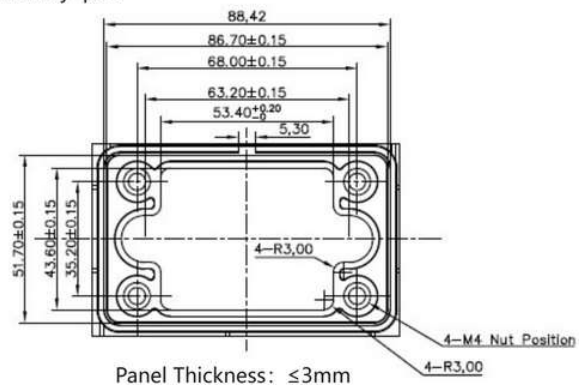
Guide Post: Stainless Steel
 Wire Gauge:
 Power 25mm²/ Max
 Signal 20AWG/ Max

DIMENSIONS

Vehicle part



Battery part



TEMPERATURE CURVE

Current 100A; Wire 25mm²

