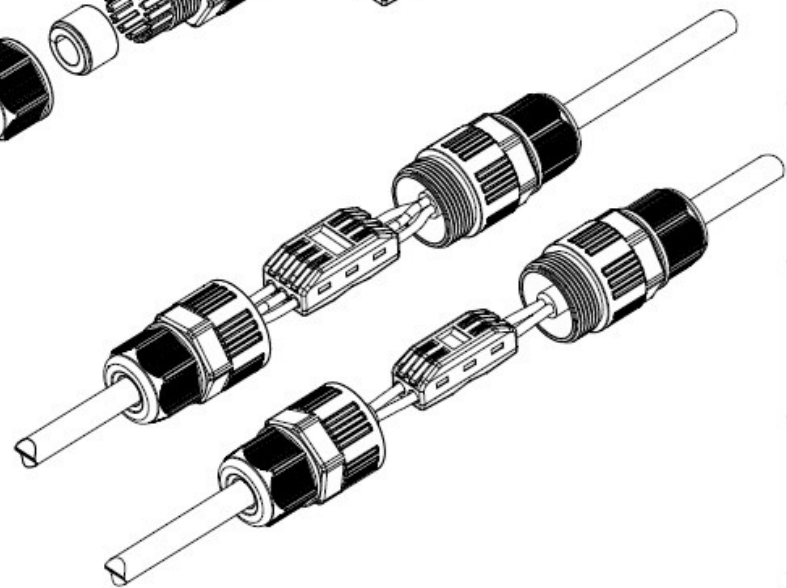
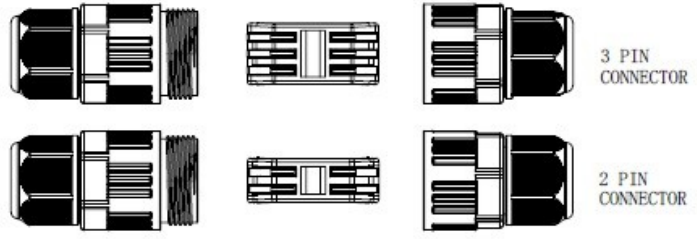
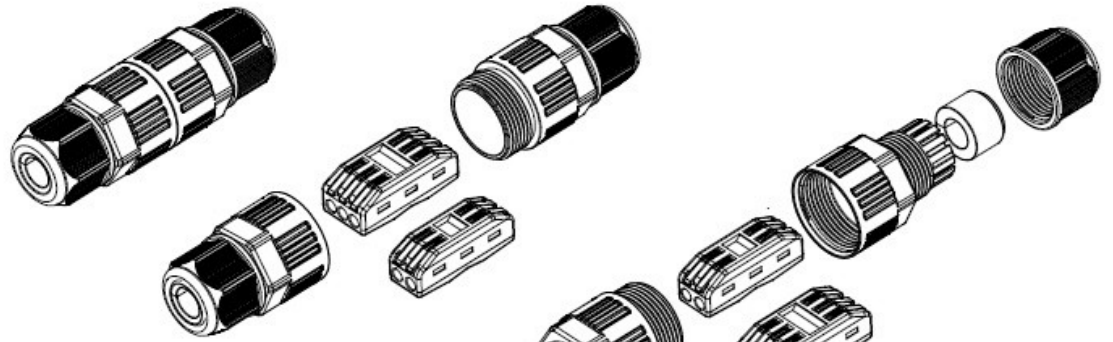
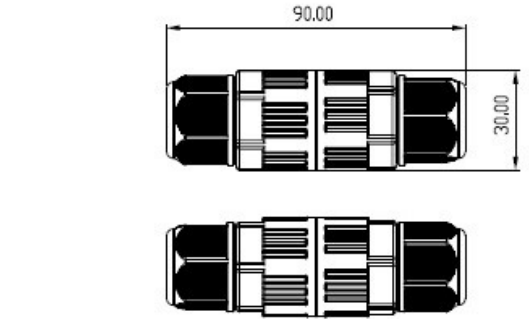


REV	ZONE	ECN NO.	DESCRIPTION	DESIGN	DATE
A			RELEASE	MONTY LEE	08/15/2023



- 性能参数:
1. 连接件: 尼龙;
  2. O型圈硬度: 邵氏40~50度;
  3. 温度范围: -20 ℃+85 ℃;
  4. 防水等级: IP68;
  5. 接线端子: 铜合金+弹簧钢
  6. 接触电阻:  $\leq 10 \text{ m}\Omega$  ;
  7. 绝缘电阻:  $> 10 \text{ M}\Omega$  , 500V DC;
  8. 抗电强度: 1500V/min;
  9. 额定电流: 20A;
  10. 额定电压: 250V ;

UNIT: mm		TITLE	M27_2芯/3芯 直通连接器		
TOLERANCE .XXX .XX .X	= 0.01 = 0.05 = 0.1	PART NO.	1xx-xxxxxx-xx		
		SCALE.	1:2	SHEET.	1/1
		REV. A	SIZE. A4	QC:	Inspection item

DWG NO.	DRAWN BY.	CHENG	DATE	08/15/2023
CUSTOMER NO.	CHECKD BY.	Huilin_Duan	08/15/2023	
CUSTOMER.	APPROVED BY.			