

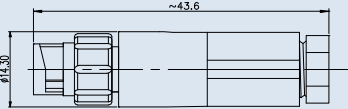
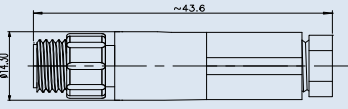
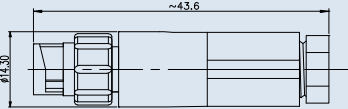
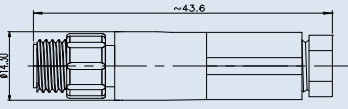


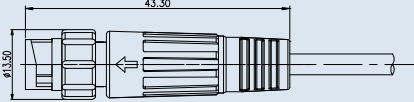
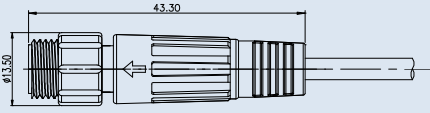
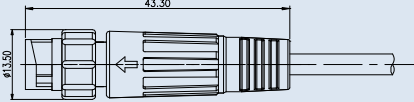
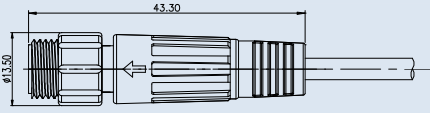


# MINI SERIES

## CHOGORI USA

### Mini Series , Female connector & Female pin

Description	Field Installable, 180° Lock Bayonet Type, Solder			Field Installable, 180° Screw Type, Solder		
						
Figure						
	Drawing					
Part-No.		Contacts	Cable Range(mm)	Part-Number	Contacts	Cable Range(mm)
	4	3.5 - 6.8	21004421-01	4	3.5 - 6.8	21004411-01

Description	Molded, 180° Lock Bayonet Type, Solder			Molded, 180° Screw Type, Solder		
						
Figure						
	Drawing					
Part-No.		Contacts	Cable Range(mm)	Part-Number	Contacts	Cable Range(mm)
	4	3.5 - 6.8	21004423-01-XXX	4	3.5 - 6.8	21004413-01-XXX

Specifications	
Number of Contacts	4
Wire Gauge	22AWG
Cable Range	3.5mm - 6.8mm
Environmental Protection	IP67
Mechanical Life	500 mating cycles
Operating Temperature	- 40°C - 80°C
Voltage Rating	50V
Rated Current(40°C)	5A