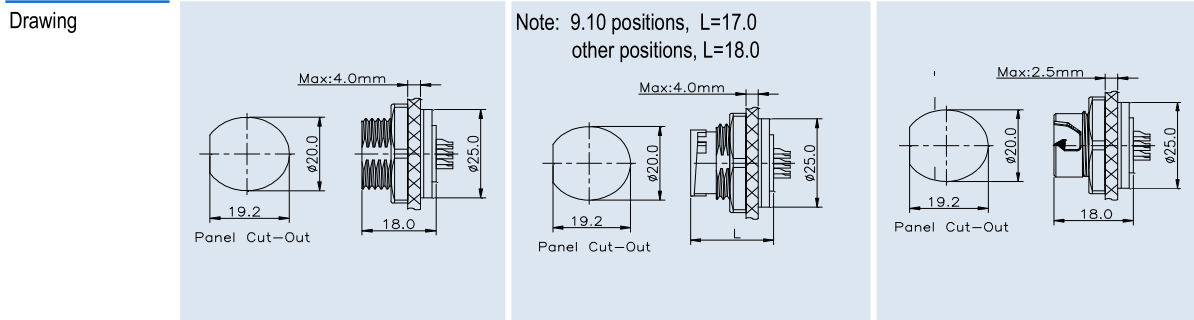


MIDDLE SERIES

CHOGORI USA

Middle Series Specifications

Middle Series, Front Panel Mount & Male Pin



Part-No.	Contacts		Part-Number		Contacts		Part-Number		Contacts		Part-Number	
		2	23002515-01	2	23002525-01	2	23002535-01	2	23002535-01	2	23002535-01	2
	3	23003515-01	3	23003525-01	3	23003535-01	3	23003535-01	3	23003535-01	3	23003535-01
	4	23004515-01	4	23004525-01	4	23004535-01	4	23004535-01	4	23004535-01	4	23004535-01
	5	23005515-01	5	23005525-01	5	23005535-01	5	23005535-01	5	23005535-01	5	23005535-01
	6	23006515-01	6	23006525-01	6	23006535-01	6	23006535-01	6	23006535-01	6	23006535-01
	7	23007515-01	7	23007525-01	7	23007535-01	7	23007535-01	7	23007535-01	7	23007535-01
	8	23008515-01	8	23008525-01	8	23008535-01	8	23008535-01	8	23008535-01	8	23008535-01
	3+5	23305515-01	3+5	23305525-01	3+5	23305535-01	3+5	23305535-01	3+5	23305535-01	3+5	23305535-01
	9	23009515-01	9	23009525-01	9	23009535-01	9	23009535-01	9	23009535-01	9	23009535-01
	10	23010515-01	10	23010525-01	10	23010535-01	10	23010535-01	10	23010535-01	10	23010535-01
	12	23012515-01	12	23012525-01	12	23012535-01	12	23012535-01	12	23012535-01	12	23012535-01
	14	23014515-01	14	23014525-01	14	23014535-01	14	23014535-01	14	23014535-01	14	23014535-01
	18	23018515-01	18	23018525-01	18	23018535-01	18	23018535-01	18	23018535-01	18	23018535-01

Specifications													
Number of Contacts	2	3	4	5	6	7	8	3+5	9	10	12	14	18
Wire Gauge	14AWG		17AWG	18AWG		22AWG		17AWG + 24AWG	22AWG	24AWG			
Panel Thickness	Max. 4.0mm				Max. 4.0mm				Max. 2.5mm				
Environmental Protection	IP68				IP67				IP67				
Mechanical Life	500 mating cycles												
Operating Temperature	- 45°C - 105°C												
Voltage Rating	300V	300V	300V	125V	125V	60V	60V	125+30V	60V	30V	30V	30V	30V
Rated Current(40°C)	20A	20A	15A	10A	10A	5A	5A	15A+2A	5A	5A	5A	5A	2A