

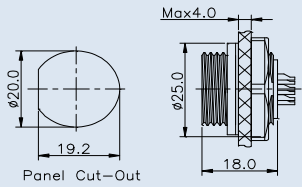
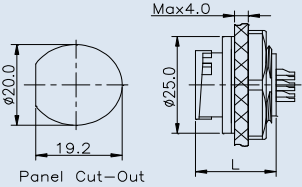
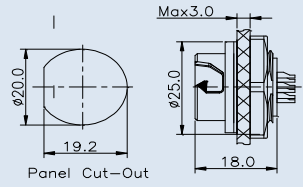
MIDDLE SERIES

CHOGORI USA

Middle Series Specifications

Middle Series, Rear Panel Mount & Male Pin

Description	Rear Panel Mount Screw Type, Solder	Rear Panel Mount Lock bayonet Type, Solder	Rear Panel Mount Push Lock Type, Solder
Figure			

Drawing		Note: 9.10 positions, L=17.0 other positions, L=18.0 	
---------	---	---	---

Part-No.	Screw Type		Lock bayonet Type		Push Lock Type	
	Contacts	Part-Number	Contacts	Part-Number	Contacts	Part-Number
	2	23002515-03	2	23002525-03	2	23002535-03
	3	23003515-03	3	23003525-03	3	23003535-03
	4	23004515-03	4	23004525-03	4	23004535-03
	5	23005515-03	5	23005525-03	5	23005535-03
	6	23006515-03	6	23006525-03	6	23006535-03
	7	23007515-03	7	23007525-03	7	23007535-03
	8	23008515-03	8	23008525-03	8	23008535-03
	3+5	23305515-03	3+5	23305525-03	3+5	23305535-03
	9	23009515-03	9	23009525-03	9	23009535-03
	10	23010515-03	10	23010525-03	10	23010535-03
	12	23012515-03	12	23012525-03	12	23012535-03
	14	23014515-03	14	23014525-03	14	23014535-03
	18	23018515-03	18	23018525-03	18	23018535-03

Specifications													
Number of Contacts	2	3	4	5	6	7	8	3+5	9	10	12	14	18
Wire Gauge	14AWG		17AWG	18AWG		22AWG		17AWG + 24AWG	22AWG	24AWG			
Panel Thickness	Max. 4.0mm				Max. 4.0mm				Max. 3.0mm				
Environmental Protection	IP68				IP67				IP67				
Mechanical Life	500 mating cycles												
Operating Temperature	- 45°C - 105°C												
Voltage Rating	300V	300V	300V	125V	125V	60V	60V	125+30V	60V	30V	30V	30V	30V
Rated Current(40°C)	20A	20A	15A	10A	10A	5A	5A	15A+2A	5A	5A	5A	5A	2A